

# Molteni & C

## PANNA COTTA — RON GILAD 2012

1—  
2



Panna Cotta low table oval or round. At once delicate and heavy, the paradox lies in the use of materials such as marble and iron to achieve a fragile stability. A small table, it has a slight wave on top reminiscent of the typical Italian soft dessert, from which it takes its name.

**DATASHEET**

REGISTERED  
DESIGN

IX.2022

**moltenigroup.com**

Dimensions in centimeters and inches. The right to discontinue and make changes is reserved. This information is based on the latest product information available at the time of printing.

**FINISHES**

matt white lacquer with white Carrara marble  
 matt black lacquer with black marquina marble  
 matt lacquered green with green alpine marble (only for small round tables)

**Molteni & C**

**TECHNICAL INFORMATION**

**STRUCTURE**

Welded drawn steel painted in the colours of the range. Nylon foot.

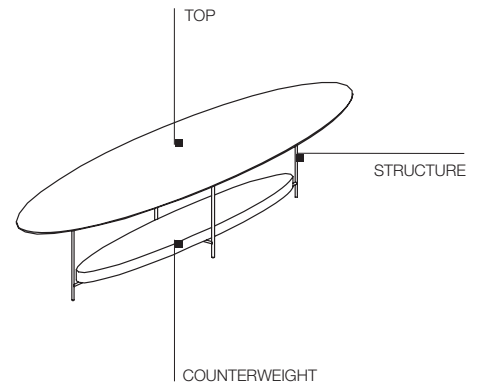
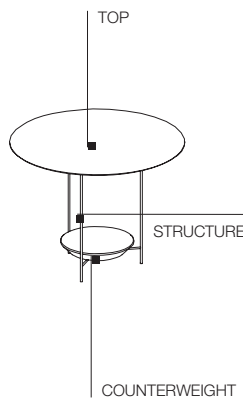
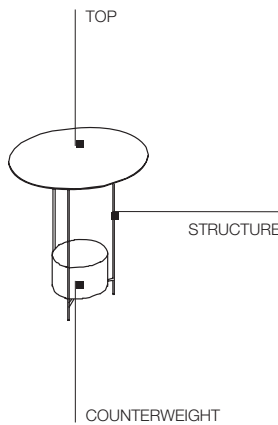
**TOP**

Steel sheet painted in the colours of the range.

**COUNTERWEIGHT**

Marble in the finishes of the range.

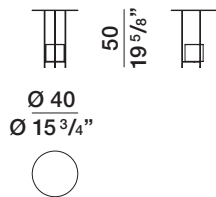
2—  
2



**DIMENSIONS**

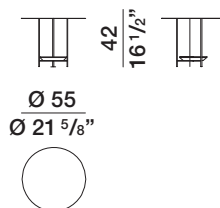
**small round table**

**GPT1**



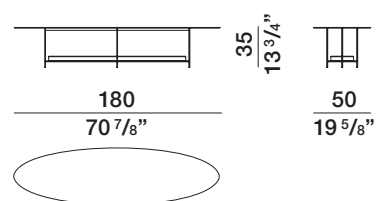
**small round table**

**GPT3**



**oval small table**

**GPT2**



**DATASHEET**

REGISTERED  
DESIGN

IX.2022